



TAKEX

The Choice of Professionals Worldwide

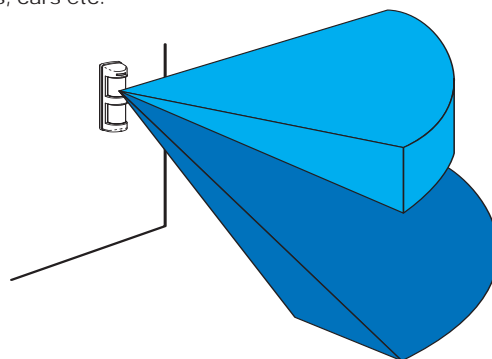
WIRELESS TX114R



TX-114R is a passive infrared sensor with low current consumption and N/O contacts, designed to work with wireless transmitters.

Dual Zone System

- This sensor is equipped with 'Dual Zone' detection and an adjustable pulse count system to ensure maximum reliability in external environments.
- Dual Zone detection will issue an alarm signal only when detection occurs in both horizontal and downward zones simultaneously.
- No alarm signal is given if only one zone is activated by small animals, cars etc.



Versatile Coverage

- Up to 12m x 12m
- The detection distance is adjustable from 3m to 12m by changing the angle of the downward zone.
- 180° rotating optics.
- Masking sheet supplied for greater coverage definition.

Rainproof Housing

TX-114R is designed specifically for outdoor use with its rugged weatherproof housing.

Other Features

- PIR sensitivity adjustment between 30% and 170%.
- Selectable pulse count.
- Repeat alarm prohibition timer.
- Optional pole mount kit available



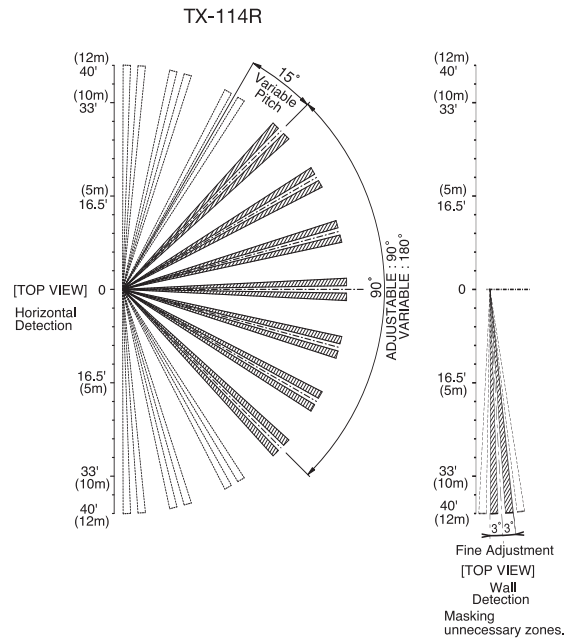
www.takeex.com

TX-114R DUAL ZONE OUTDOOR PIR

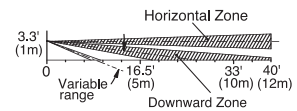
Specifications

Model Number	TX-114R
Detection System	Passive Infrared
Detection Area	Horizontal Detection Angle: 90° Detection Distance: 12m Horizontal Zone: 7 Zones Downward Zones: 7 Zones
Detection Adjustment	Horizontal ±90° Detection Distance: 3m to 12m (By adjusting the angle of the downward zone)
Supply Voltage	Battery voltage: 3V DC Wire Colour: Red (+) / Black (-) Operation Voltage Range: 2.3V to 10V DC
Alarm Signal	Wire Colour: Blue When detection occurs: One shot output approx. 1.20 sec High voltage: CMOS output driven by 2V regulator
Operation LED	Red operation LED blinks for 1 min after connecting a battery to the unit After 1 min of warm up period the unit will enter the test mode function for a further 5 mins. During this time the LED will light at detection.
Sensitivity Adjustment	Approx. 30% to 170% (By Volume)
Pulse Count	Once / Three times selectable
Signal Prohibition Time	10 / 100 / 300 / 900 sec selectable
Ambient Temperature	-10°C to +50°C
Mounting Position	Indoor / Outdoor: Height 0.8m to 1.2m
Weight	510g
Appearance	Body: AES resin, Lens: PE resin
Supplied Accessories	Tapping screw x 2, Area masking sheet x 1
Optional	Wall mount attachment (BW-24) Pole attachment (BP-22)

Protection Distance

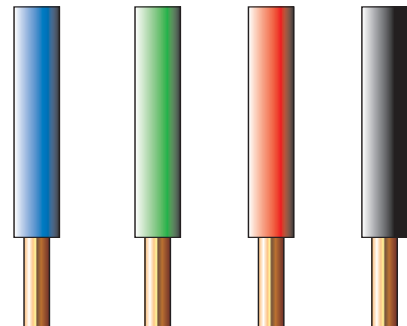


[SIDE VIEW]



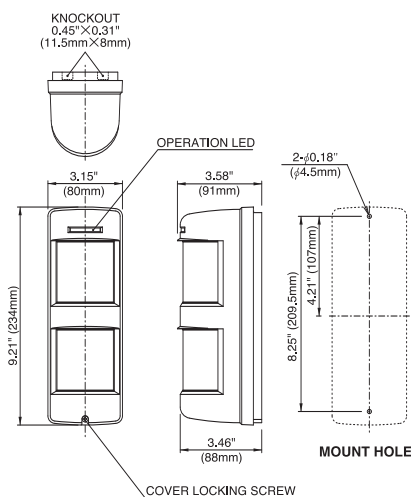
Detection distance is adjustable by turning the angle of downward zone.
Adjustable range 10' (3m) to 40' (12m). [9 ranges]

Wire Configuration



- Blue: Alarm signal
- Green: Tamper
- Red: Battery input (+)
- Black: Battery input (-)

External Dimensions: Unit (mm)



Please Note: This sensor is designed to detect intrusion and to initiate an alarm; it is not a burglary-preventing device. TAKEX is not responsible for damage, injury or losses caused by accident, theft, Acts of God (including inductive surge by lightning), abuse, misuse, abnormal usage, faulty installation or improper maintenance.

www.takex.com



TAKEX Europe Ltd.
Aviary Court, Wade Road
Basingstoke, Hampshire
RG24 8PE, UK

Tel. +44 (0)1256 475555
Fax. +44 (0)1256 466268